



121 System Instruction

Model: C1S-121CS4

Shenzhen WRT Intelligent Electrical Stock Co., Ltd.

Add: WRT Industrial Base, Dafu Industrial Park, Guanguang Rd,
GuanLan Town, BaoAn District ShenZhen, China

Tel: +86 755 29576113

Fax: 86 755 29576023

[Http:www.wrtsz.com](http://www.wrtsz.com)

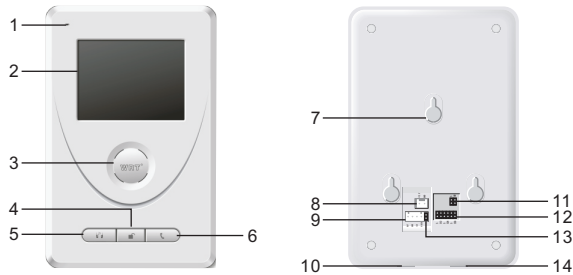
Version: H2

1. Brief Introduction:

- ① Used in 121 system.
- ② 4. 0" Color Display, monitoring Functions.
- ③ Receive calls from front door camera.
- ④ Unlock the doors.
- ⑤ Call other sub-phones.

PS: There are two ways for power input: though Jack for adaptor or through socket for power supply.

2. Equipment Description:



1. Microphone 2. LCD Display 3. Speaker 4. Unlock/Monitor 5. Call button 6. Intercom 7. Wall hanging holes 8. Jack for +12VDC input 9. Socket for 12VDC Output&GND&A/V 10. Volume adjustment 11. Choice for Front Door Camera 12. Socket for Coding 13. Socket for Video Impedance 14. Brightness Adjustment

3. Installation:

- ① Embed a 86 box in the wall.
- ② Fix 2 screws to the hole of 86 box until 5mm of the screws left .
- ③ After connecting the transmission wires, hang the door phone on the

screws and pull it until it is stable.

4. Operation:

Max capacity : 2 front door cameras can link with max 4 indoor monitors.

※ Instruction of socket for short circuit pin

There is a group of short circuit pins for coding on the back of the monitor. Please follow the instruction below to set the status for them before using.

JP1 for video impedance: This is for choosing the resistance for the the video signal. When there is only one monitor, please plug the short circuit chip in this socket. When there are more than one monitor, you just need to plug in the short circuit chip for one monitor (This principle also applies for JP2 and S1.)

JP2: Choose the ringtone for monitors, this function is just for the front door camera :FZH-121C.

JP3: Choose the model for front door camera. When the front door camera is FZH-121, please plug the short circuit in JP3 for all the monitors. If the front door camera is other model, than just plug for one monitor..

S1: Same principle like JP1. However, if the monitor connects with the front door camera for apartment: EZH-121C, this socket is for numbering the monitors.

S1~S6: These sockets are for numbering the monitors when the monitor connects with the camera: EZH-121C. (Max 64 households can be supported in the apartment system.)

※ Numbering the monitors:

When the front door camera is EZH-121C (for apartment), you must number the monitors with the socket from 1~6. The way of numbering is :

adding the number which the socket represent to, then add 1 to the sum you got. The final sum you get is the coded number of the monitors. The number the socket represent to is as following:

Socket: 1	2	3	4	5	6
Number: 1	2	4	8	16	32

For example: If you want to number a monitor as Monitor 1, then do not plug the short circuit chip for any socket from 1~6. If you want to number a monitor as Monitor 16, then plug shortcut circuit chip to Socket 1,2,3,4 (because 1+2+4+8=15).

If there are more than one monitors in one family, then number the monitors as the same.

※ Answering calls from the front door camera

When there is a call received from the camera, the image from the Door Station will auto-display on the screen. To talk with the visitor, press “☎” button. The conversation time is limited to 2 minutes.

To release the electric lock for the visitor, press “🔓” button.

To end the conversation, press “☎” button.

If there is no answer for the call within 30 seconds, the display will shut off automatically after 2 beeps.

※ Calling Other Door Phone(s)

When in standby, press “📞” button, you can call other door phone(s) connected.

If busy tone is heard, please try again later. The chime tone last about 30 seconds if nobody answers the call. The max conversation time is 2 minutes. To end the conversation, press “☎” button.

※ Answering Calls from Door Phone

When there is a call received from one of the door phones, all other door phone(s) connected ring at the same time and there are no image on the

screens. To answer the call, press “☎” button.

The max conversation time is 2 minutes. To end the conversation, press “☎” button. The conversation will end with two beeps.

※ Monitor

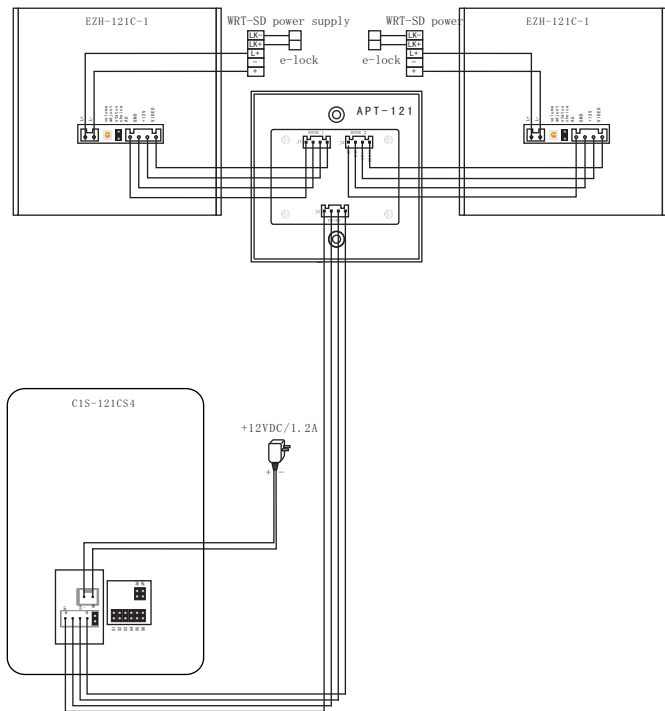
You can monitor the sound and doorway image captured by the cameras for up to 1 minute. There is an impedance selection socket in the back side of the door phone. If there is only one video door phone connection, please do remember to plug in the jumper. If more than one video door phones connected, please plug in the jumper for the video door phone of longest wiring distance and do remember to remove the jumpers for others. When in standby, press “📺” the image from camera 1 will appear on the screen; press “📺” button again, the monitoring will shut off. Within 10 seconds, press “📺”, the image captured by the Camera 2 will appear on the screen.

In monitoring status, you will hear busy tone when you call the door phone from the camera.

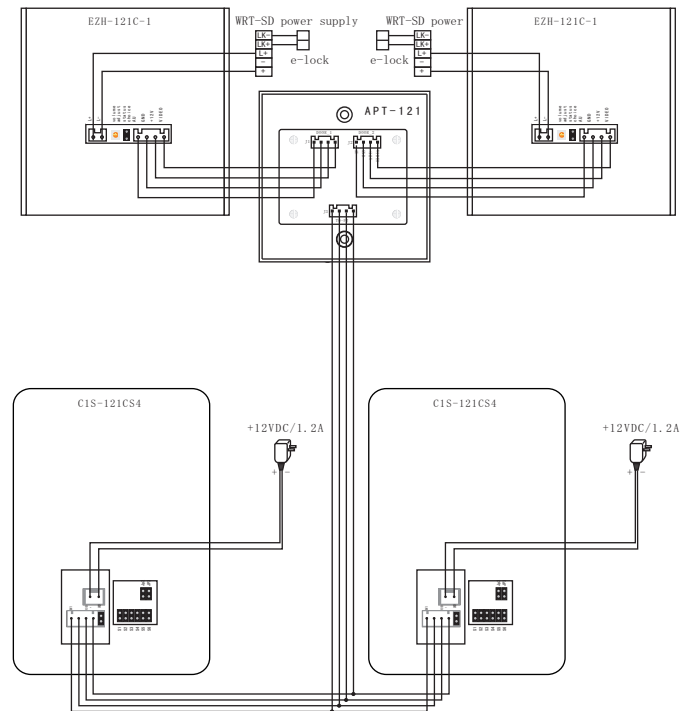
5. Specification:

Voltage Input.....	+12VDC
Standby Current.....	≤50mA
Working current.....	≤200mA
LCD Screen.....	4.0”
Resolution.....	320(RGB)*240
Sensitivity.....	≤20mV
Distortion.....	≤5%
Sound Level.....	≥70dBA
Power Input.....	≥5mW
Humidity.....	45%~95%
Working Temperature.....	-20°C~+55°C

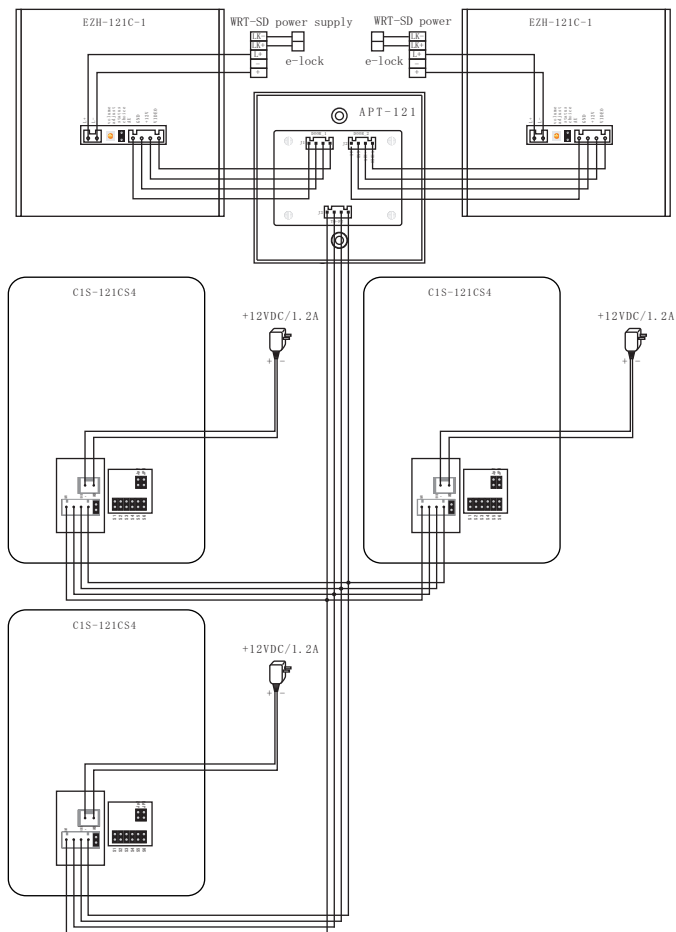
Two cameras with one monitor



Two cameras with two monitors

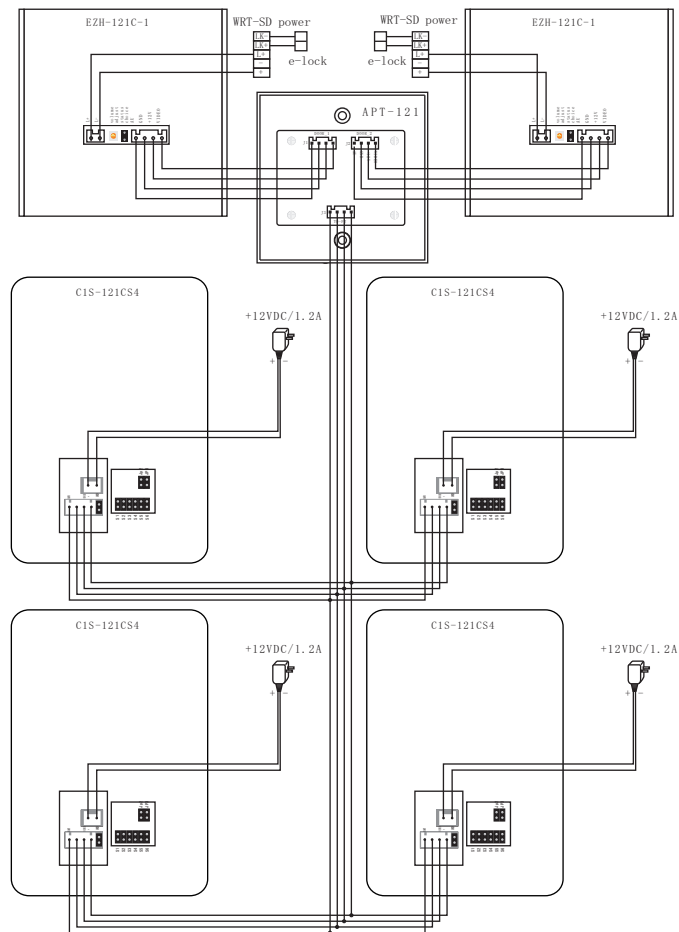


Two cameras with three monitors



9

Two cameras with four monitors



10