

Remote LED Indicators

(MKII-ARL/C & MKII-ARL/W)

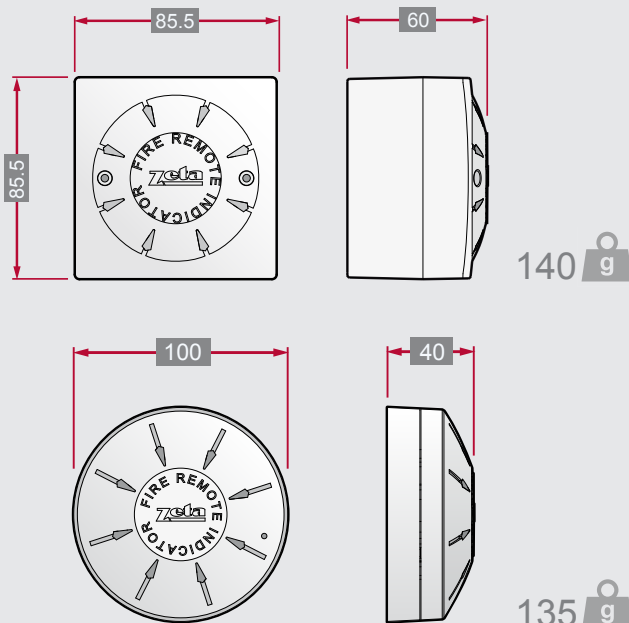


MKII-ARL/C



MKII-ARL/W

Dimensions (mm) & Weight (g)



Description

There are two models for the remote LED indicator, a wall type MKII-ARL/W and ceiling mounted type (requires a base) MKII-ARL/C.

Each unit is equipped with 8 LEDs and mimics the detector LED in alarm condition.

Features

- The indicators can be hard addressed via 8 way dip-switch OR
- Softly addressed using the MKII handheld programmer
- Each indicator can be programmed for one device or up to 12 devices
- Each indicator will be connected directly on to the detection loop

Technical Specification

Model	MKII-ARL/W	MKII-ARL/C
Part No.	48-034	48-033
Quiescent Current	450µA	450µA
Alarm current	2.10mA	2.10mA
Dimensions (mm)	(W) 85.5 x (H) 85.5 x (D) 60	(Dia) 100 x (D) 40
IP Rating	IP43	IP43
System Voltage	17 to 28 Vdc	17 to 28Vdc

MkII Handheld Programmer (MKII-TOOL)

The MkII Handheld Programmer is designed to compliment all MkII devices and to assist the commissioning engineer on site.



Smoke and heat detectors can be tested when plugged on the programmer and alarm LED's can be verified prior to installation.

The unit will softly address all devices without using the incorporated dip-switch on the field devices.

The MkII Programmer can re-program the opto-heat detectors to either heat or smoke detector.

- 2 LED indications. One to indicate that the unit is charging, the other one indicates the status of the detector's remote LED output.
- Battery Charge state indicator
- Auto-Off when the programmer is not operated for two minutes
- External Reset Function
- 20x4 Character LCD Display